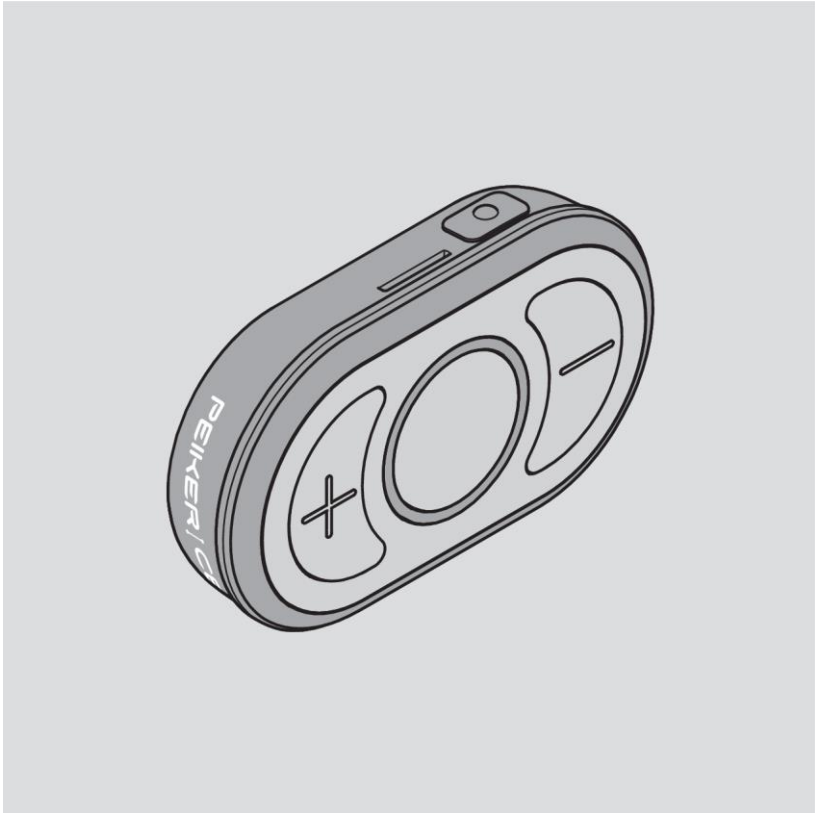


PEIKER | CEE

Communication Device

CEECOACH^{PLUS}



Quick Guide

English translation of the original instruction manual


01/2021

Information on the manual and manufacturer

This guide is to help you operate the CEECOACH communication device PLUS. This guide is an extract from the detailed instruction manual found on our website. You must read, observe and follow all the instructions in both the guide and instruction manual, in particular the safety instructions.

Text structure




Normal text

- List
- ▶ Steps to complete
-  Tips contain additional information.

Manufacturer's address

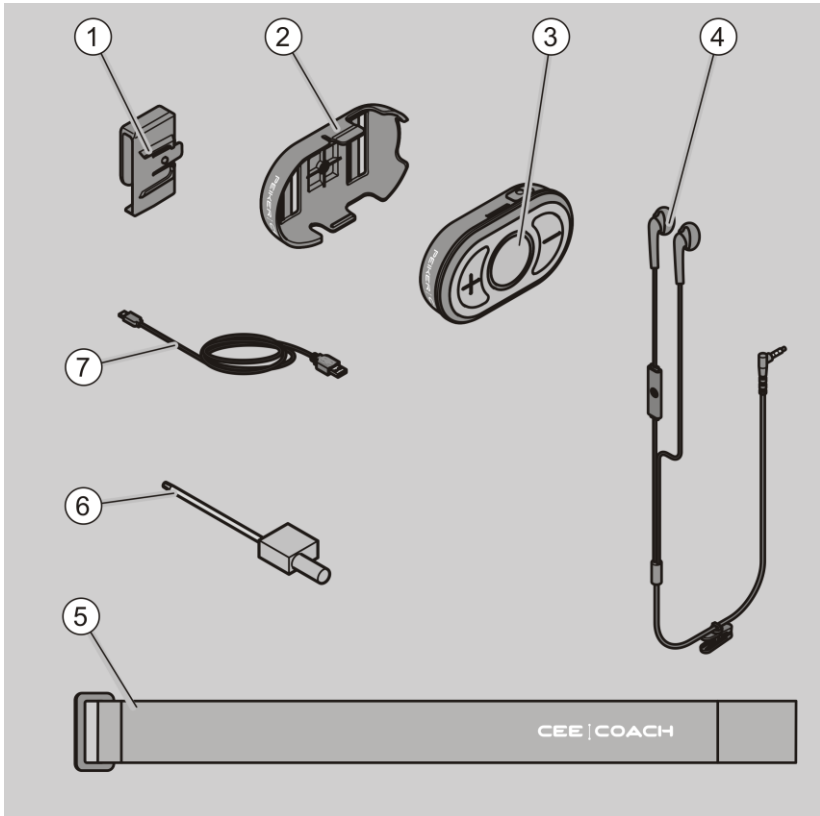
peiker CEE GmbH
 Gartenstrasse 25
 D-61352 Bad Homburg, Germany
 Tel.: +49-6172-1797-500
 Email: info@peiker-cee.de; ceecoach@peiker-international.com
 Internet: www.peiker-cee.de; www.peiker-international.com

Formatting of warnings

 WARNING	
	Information with the word WARNING indicates a dangerous situation that could result in death or serious injury.
 CAUTION	
	Information with the word CAUTION indicates a situation that could result in minor or moderate injury.

Description

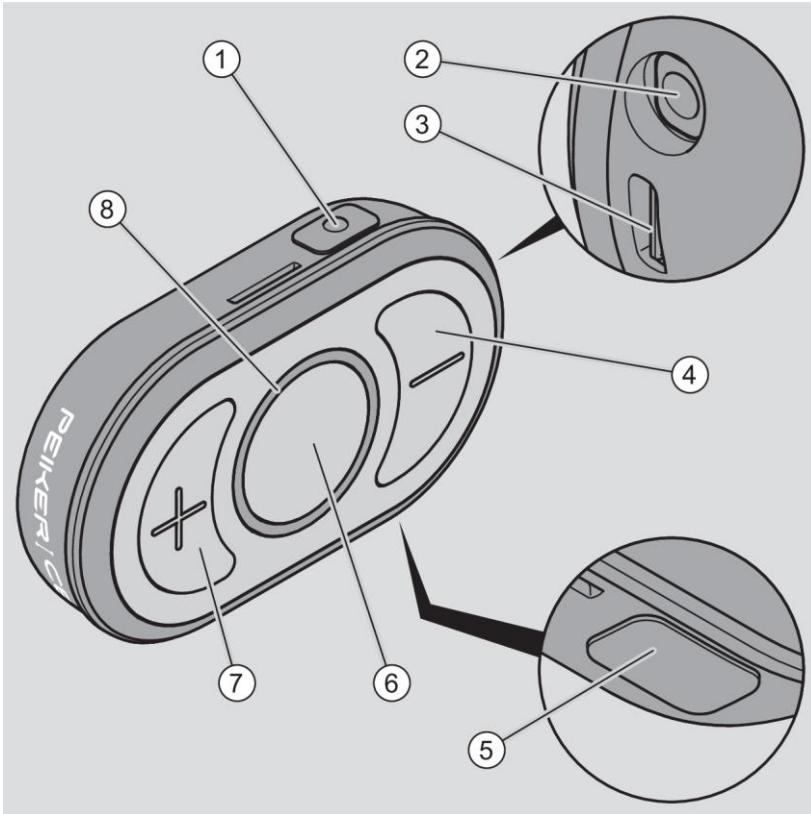
Items included in package



Nr.	Benennung
1	Belt clip (× 2 in the Duo Set)
2	Mount (× 2 in the Duo Set)
3	Device (× 2 in the Duo Set)
4	Headset (× 2 in the Duo Set)
5	Velcro (× 2 in the Duo Set)

Nr.	Benennung
6	Screwdriver
7	USB-C cable (× 2 in the Duo Set)

Controls





No.	Description
1	Function button to connect the device with other devices
2	Headset jack
3	USB jack for USB-C cable
4	Minus button: Decrease volume
5	Function button to connect the device with other devices or Bluetooth® headset
6	Main button: Switching the device on and off Switching the microphone on and off
7	Plus button: Increase volume
8	Light ring

Indicators on the light ring

Color	Meaning
Red	Battery almost empty (less than 30% charged)
Yellow	Battery charged between 30 and 70%
Green	Battery charged more than 70% Device is connected and at least one device is in transmission range
White	There is no connection to other devices
Cyan	Device is connected but there is no other device in transmission range
Blue	Device can be connected to a Bluetooth® headset
Magenta	The microphone is muted

Unpacking and checking the items included in the package


 WARNING	
	<p>Small parts are included in the package.</p> <p>Children may swallow the small parts while playing and choke on them.</p> <ul style="list-style-type: none"> ▶ Make sure that the small parts are kept out of reach of children.

- ▶ Remove the parts of the device from the original packaging.
- ▶ Keep the original packaging in case the device might have to be returned.
- ▶ Check that all parts of the device have been included.
- ▶ Check that the parts are in perfect condition.
- ▶ Contact the manufacturer if parts are missing or damaged.

Using the device for the first time

- ▶ Switch on the device (see "Switch the device on and off" from page 6).
- ▶ Use the headset as described in the instructions of that manufacturer.
- ▶ When using a Bluetooth® headset, proceed as described in the instruction manual.
- ▶ Connect the device to any other devices you would like.

You can connect the device with up to 15 other devices within one group (see "Creating a group" from page 8).

-  The devices in the Duo Set are already connected to each other out of the box.

Switching the device on and off

- ▶ To switch on the device, press and hold the main button for at least 3 seconds.

The light ring then displays a color for 3 seconds (depending on the battery charge: green, orange, or red). You will also hear the message "Power on". The light ring flashes 3 times in cyan or white if the device is

not connected to any other device. Then the light ring flashes green once every 3 seconds if the device is connected to other devices.

- ▶ To switch off the device, press and hold the main button again for at least 3 seconds.

The light ring then displays a color for 3 seconds (depending on the battery charge: green, orange, or red). You will also hear the message “Power off”.

Switching the microphone on and off (mute function)

- ▶ To mute the microphone, press the main button briefly.

You will hear the message “Muting on”. The light ring flashes magenta. Now you will not be heard by other connected participants.

- ▶ To unmute the microphone, press the main button briefly again.

You will hear the message “Muting off”. Now you will be heard by the connected participants again.

Adjusting the volume

 CAUTION	
	Excessive volume can damage your hearing. <ul style="list-style-type: none">▶ Avoid continuous exposure to sound at high volume levels.

- ▶ To increase the volume in steps, press and release the plus button.

The device volume increases in 1/12th increments. The color indicator on the light ring gets larger. At maximum volume the light ring is completely green.

- ▶ To reduce the volume in steps, press and release the minus button.

The device volume decreases in 1/12th increments. The color indicator on the light ring gets smaller. At minimum volume, only one LED remains on.

- ▶ To change the volume quickly, press and hold the plus or minus button.

Creating a group

You can create a group with up to 15 other devices. The distance between the devices must be under 30 ft while connecting.

- ▶ Make sure that the devices to be connected are within range.
- ▶ Switch on the devices (see "Switching the device on and off" from page 6).
- ▶ Press the function buttons on the devices (1, 2) simultaneously for at least one second to put the unit into pairing mode.

The light ring fills up with a color for 30 seconds and connects with all other devices currently in pairing mode. Then through your headset, you will hear the message "Device is connected" if at least one other device has been successfully connected. The light ring flashes green. If no other connection has been made, the light ring flashes white. If this occurs, repeat all previous steps with all units.

